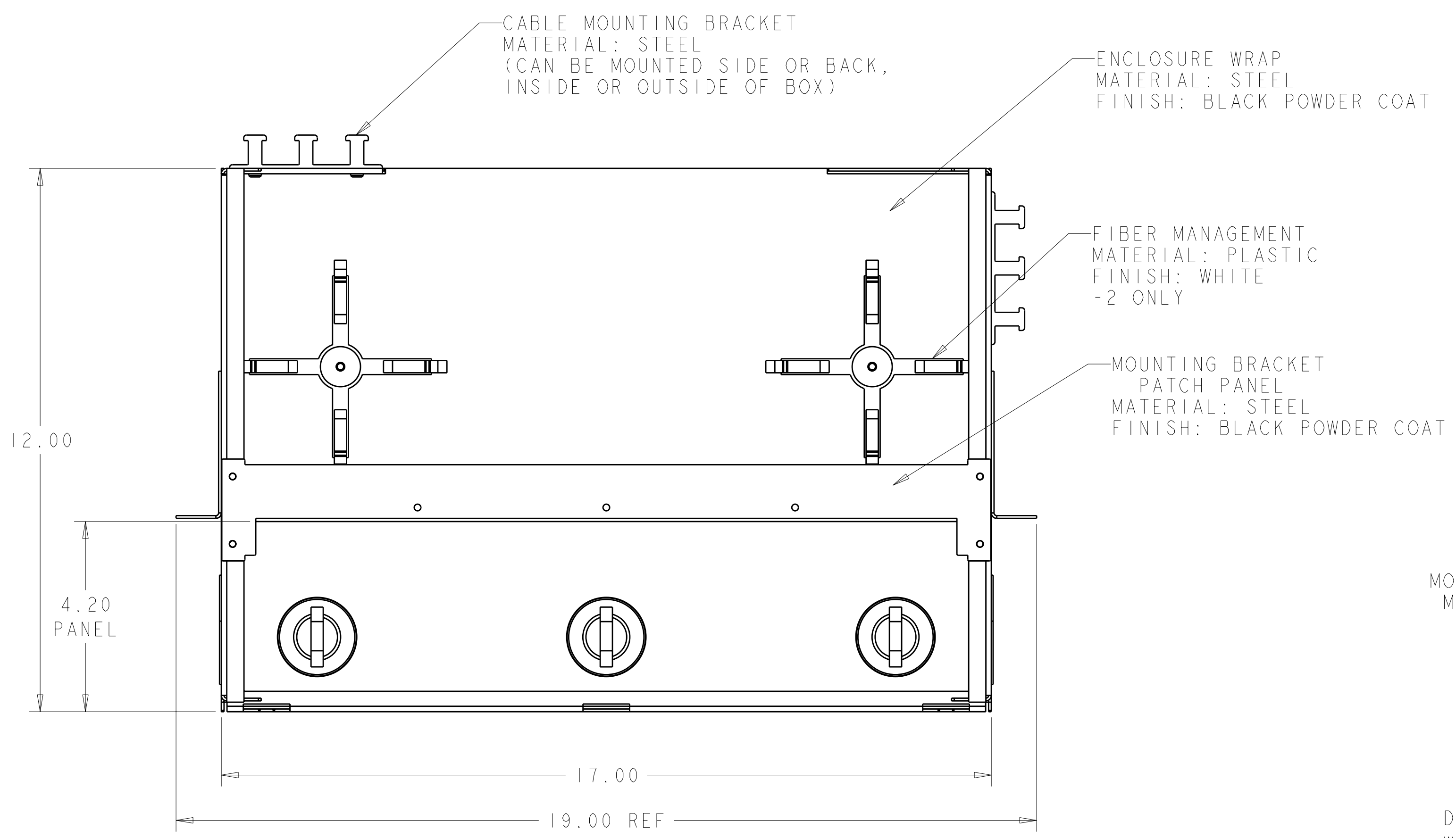
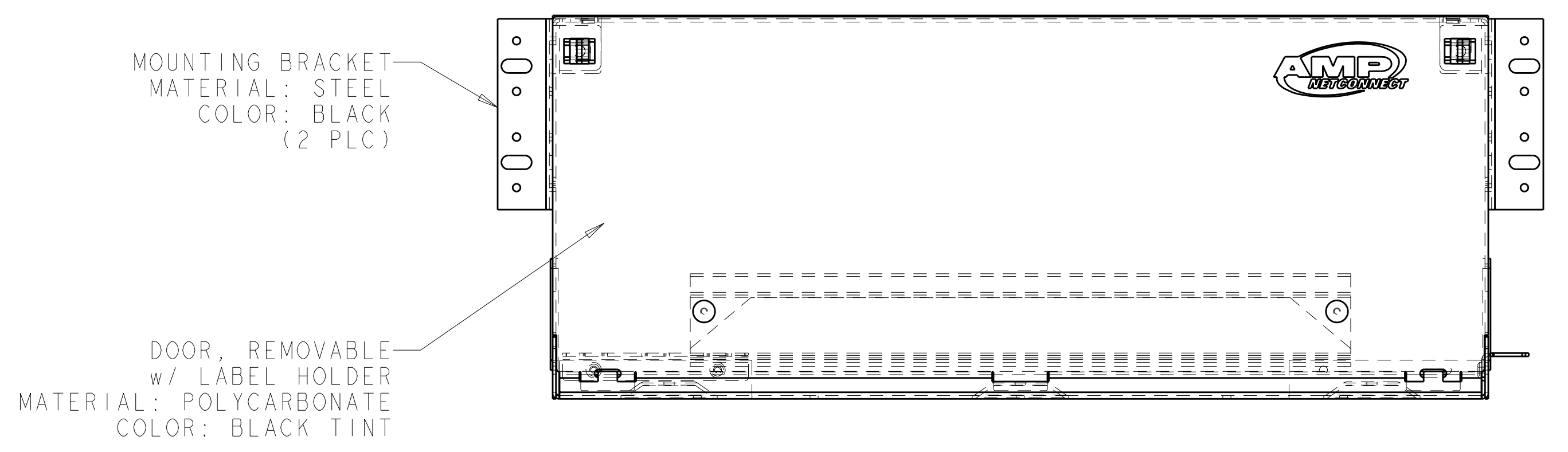


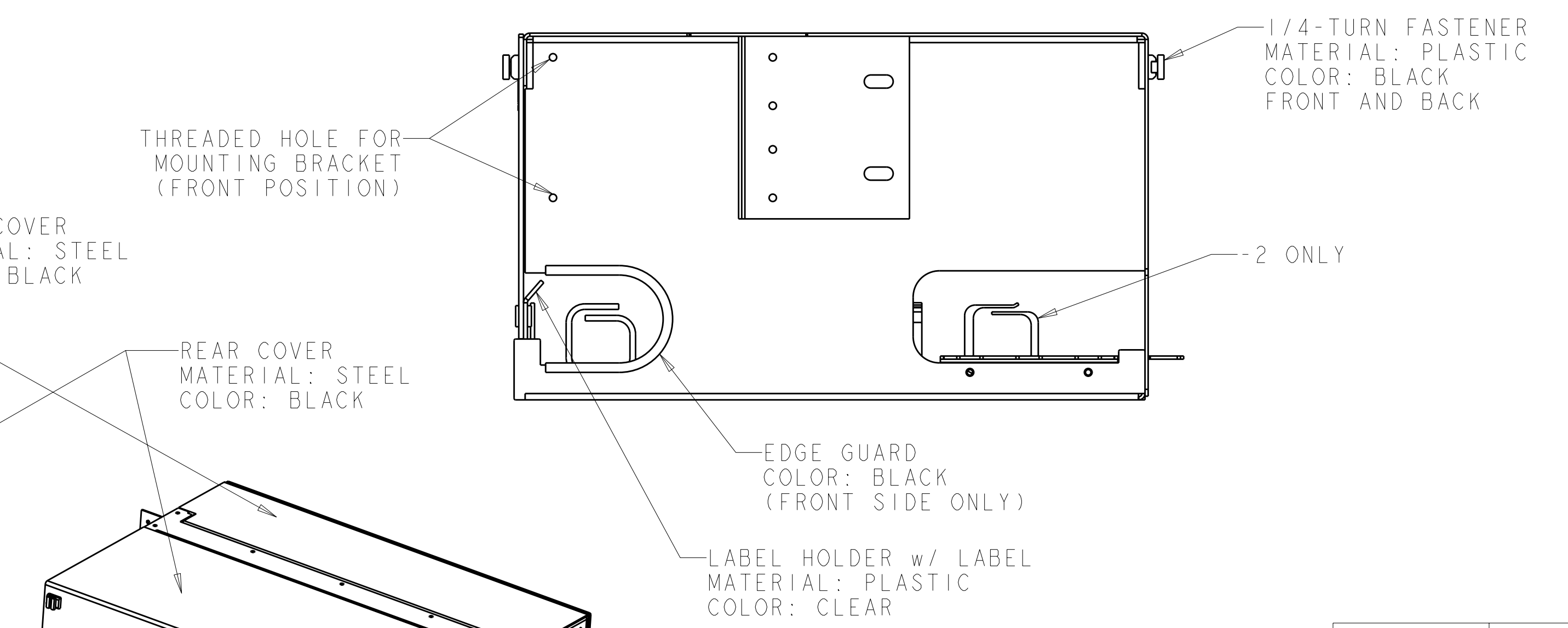
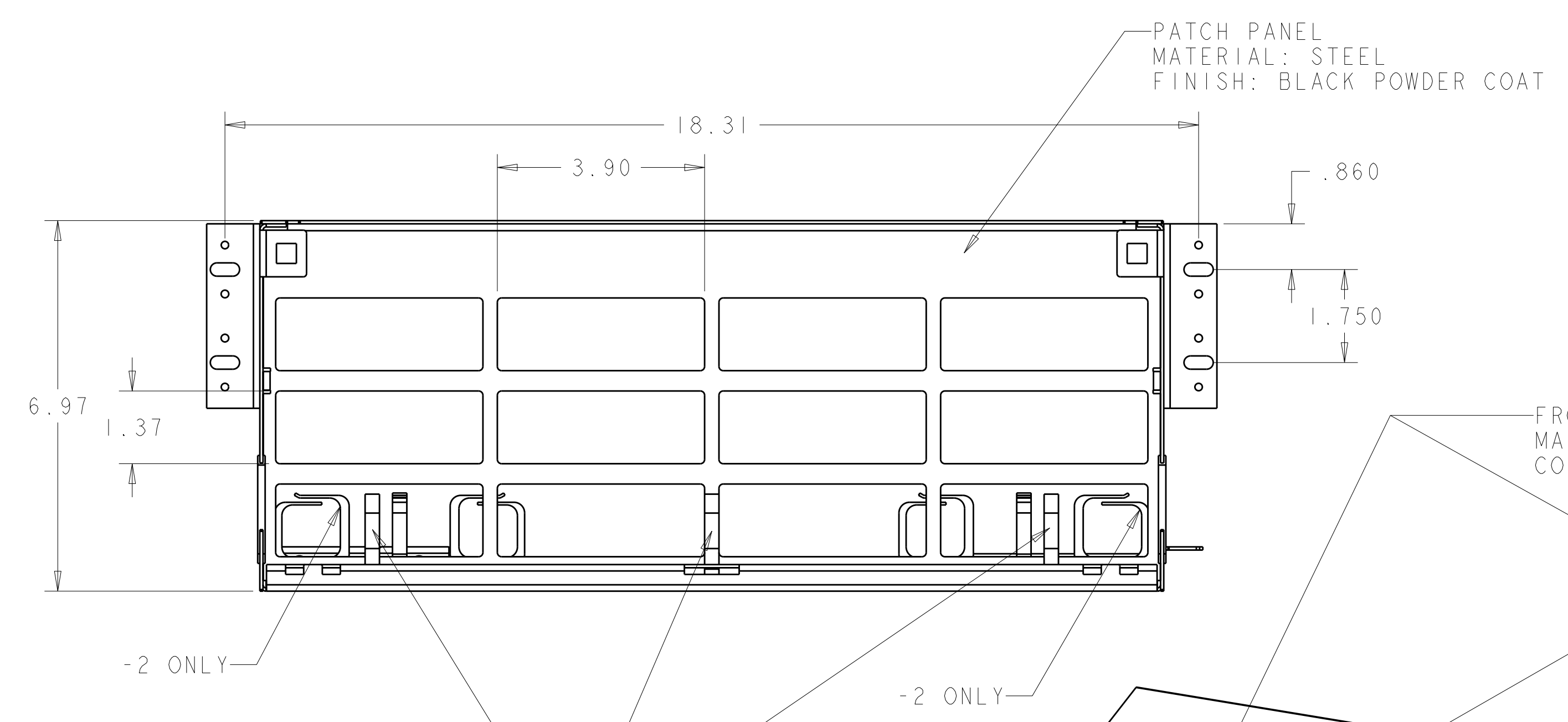
LOC	DIST	REV	DATE	BY	APP'D
CE	16	E	07JAN2008	GG	DC



- THE FOLLOWING ITEMS ARE BAGGED AND PLACED IN THE ENCLOSURE.
 - [4] HANDLE, 1/4-TURN FASTENER
 - [2] KIT, CABLE CLAMP BRACKET
 - [4] #12-24x.50 SCREW
 - [1] LABEL, "D-A"
 - [2] LABEL, "DANGER"
- ENCLOSURE IS PROVIDED FOR 19" RACK MOUNTING. REPOSITIONING BRACKETS WILL ALLOW FOR MOUNTING INTO A 23" RACK.

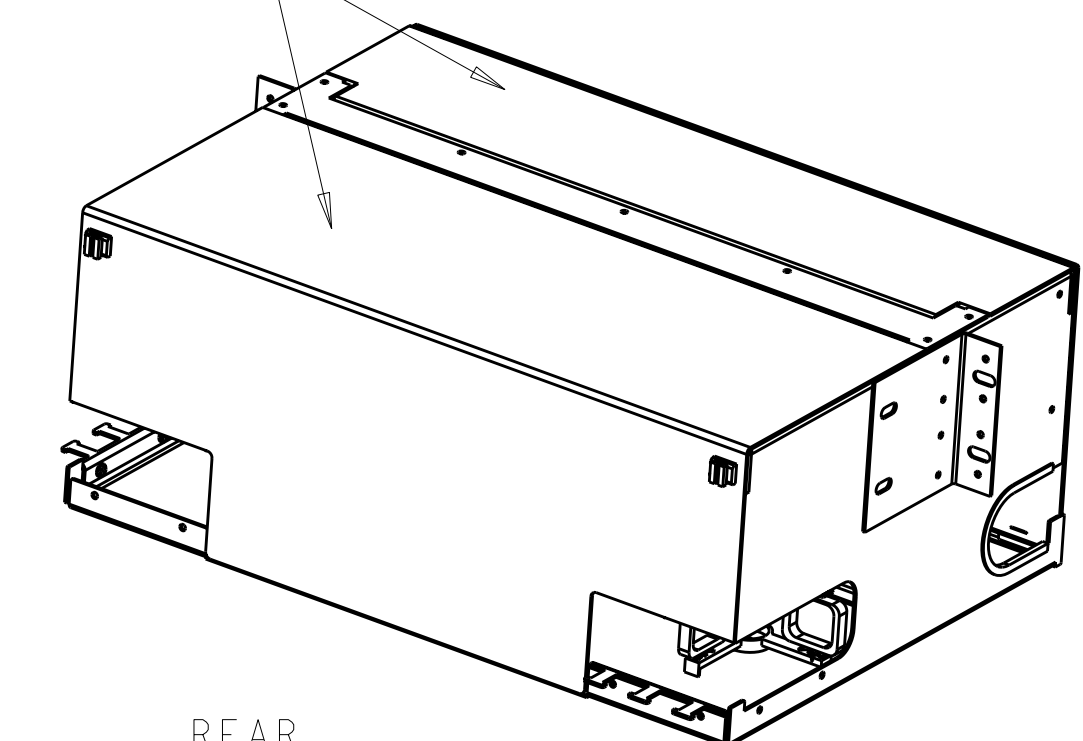
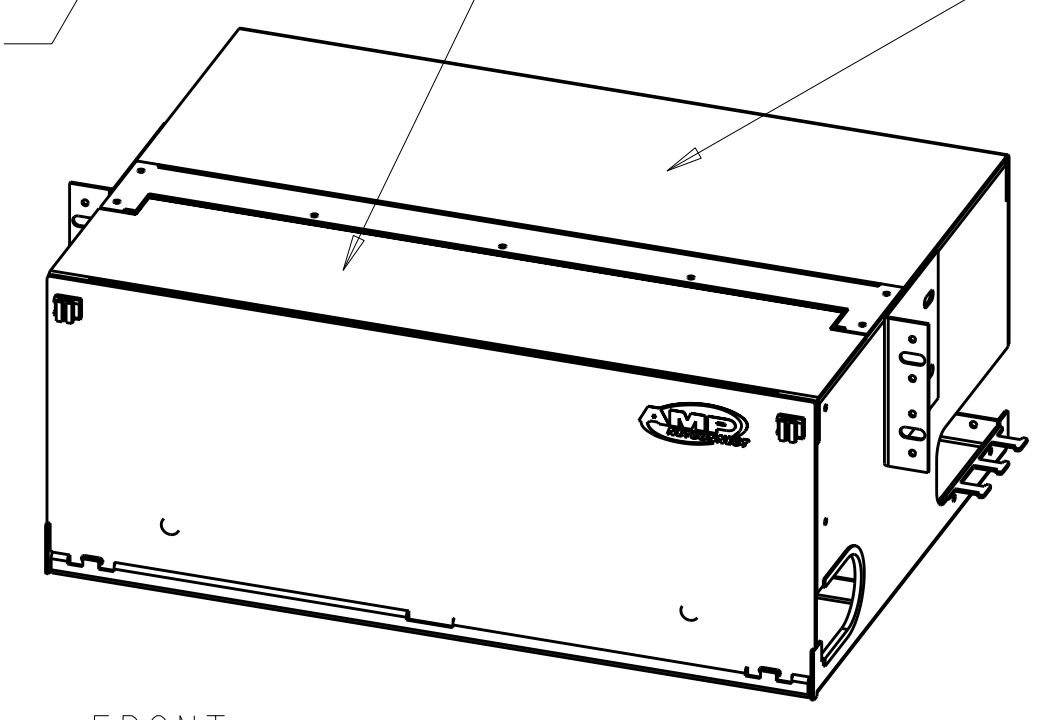


FRONT VIEW



CABLE ROUTING RINGS
 (3 PLC)

DOOR & COVERS NOT SHOWN



BLACK	1435593-2
BLACK	1435593-1
COLOR	PART No.

DIMENSIONS:		TOLERANCES UNLESS OTHERWISE SPECIFIED:		MATERIAL:		FINISH:		WEIGHT:		SCALE:	
INCHES		9 PLC	±	16 GA	STEEL	BLACK	POWDER COAT			1:2	
		1 PLC	±0.1								
		2 PLC	±0.01								
		3 PLC	±0.001								
		4 PLC	±0.0001								
		ANGLES	±								